

# HSGR

## Submersible Grinder pump

Standard Material	Casing	GC200
	Shaft	STS410
	Impeller	STS304
	Cutter	Hi-Cr
	Cutter Plate	Hi-Cr
	M/C Seal	SIC/SIC
	Lifting chain	NOMAL

### Applications

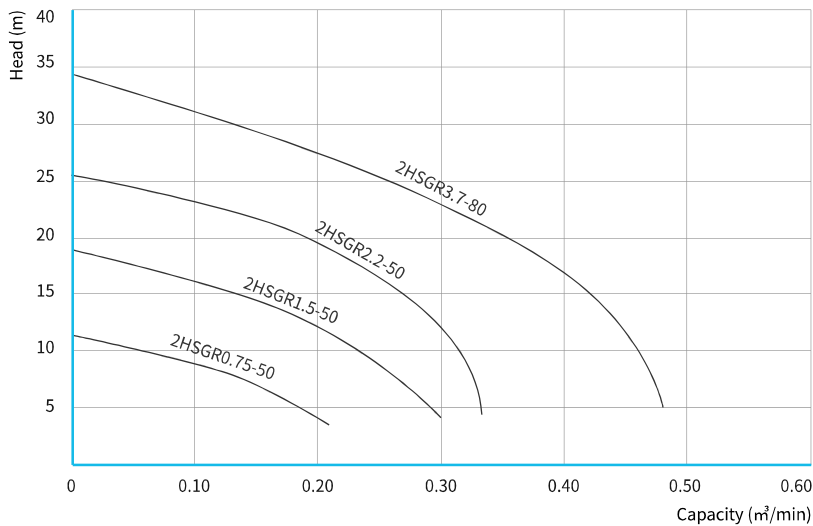
Transfer for heavy slurry water  
Wastewater at residential area

### Features

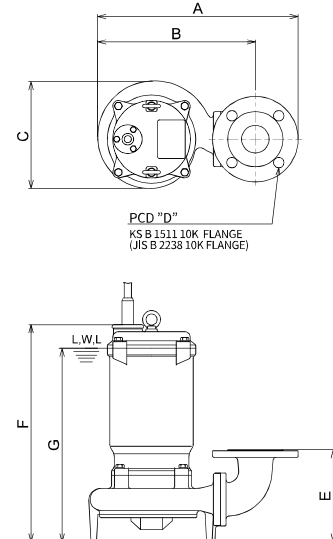
- Chrome alloy steel material of grinding type cutter
- Transfer by grinding of rope, a piece of cloth and vinyl waste
- 2pole motor for better efficiency at high head
- Double mechanical seal for tightening waterproof
- Easier maintenance with automatic discharge connector



### Performance Curves



### Outline Drawing



Model	Power	Pole	Output (kW)	Discharge (mm)	Head (m)	Capacity (m³/min)	Dimensions						
							A	B	C	D	E	F	G
2HSGR0.75-50	three phase / 380V ~ 415V	2P	0.75	50	8	0.12	375	295	205	120	170	440	230
2HSGR1.5-50			1.5		12	0.18	375	295	205	120	170	460	350
2HSGR2.2-50			2.2	16	0.24	375	295	205	120	170	490	380	
2HSGR3.7-80			3.7	80	22	0.3	490	395	255	150	240	600	475

- \* The above dimensions might be changed without further notification.
- \* Please contact us regarding automatic discharge connector.
- \* Please contact us regarding exceed motor rate and number of poles.