

HSLA

Submersible
for low head
pump

Standard Material	Discharge casing	FRP
	Suction casing	FRP
	Out jacket	STS304
	Shaft	STS410
	Impeller/propeller	STS304



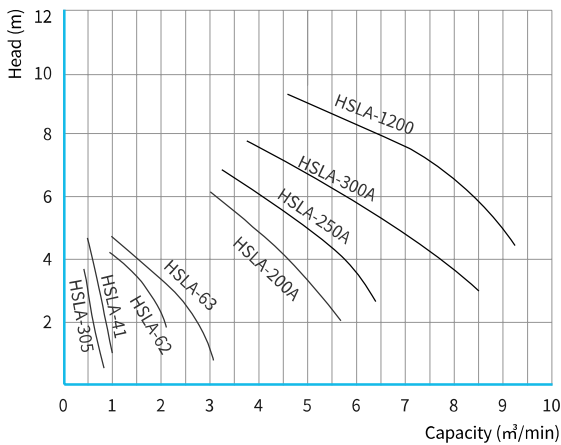
Applications

Supply seawater at fish farming with low head
Industrial, cooling water of power plant,
Drainage for river and reservoir

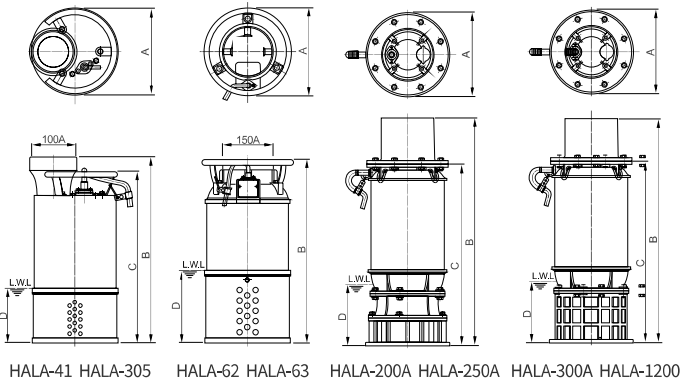
Features

- Save electricity cost by higher efficiency at low head
- Improved life cycle by harmonize between impeller and shaft
- Lighten weight by using FRP material and improve corrosion resistance
- Compact design and double mechanical seal for tightening waterproof

Performance Curves



Outline Drawing



Model	Power	Pole	Output (kW)	Discharge (mm)	Head (m)	Capacity (m³/min)	Weight (kg)	Dimensions			
								A	B	C	D
HSLA-305	single phase/220V	2P	0.4	80	3	0.5	25	225	484	447	180
HSLA-305	three phase/380V		0.4	80	3	0.5	25				
HSLA-41	single phase/220V		0.75	100	3	0.7	26				
HSLA-41	three phase/380V		0.75	100	3	0.7	26				
HSLA-62	three phase/380V	4P	1.5	150	2	2.2	51	285	597	-	237
HSLA-63			2.2	150	3.5	2	52	285	597	-	237
HSLA-200A			5.5	200	4.8	4	119	340	923	733	250
HSLA-250A			7.5	250	4.5	5.5	162	380	1015	802	300
HSLA-300A			11	300	4.5	7	201	430	1077	856	260
HSLA-1200			15	300	6.8	8	273	430	1080	888	260

* The above dimensions might be changed without further notification.