

# HSSE

## Submersible Sewage pump

Standard Material	Casing	GC200
	Shaft	STS410
	Impeller	GC200
	M/C Seal	SIC/SIC
	Lifting chain	NOMAL



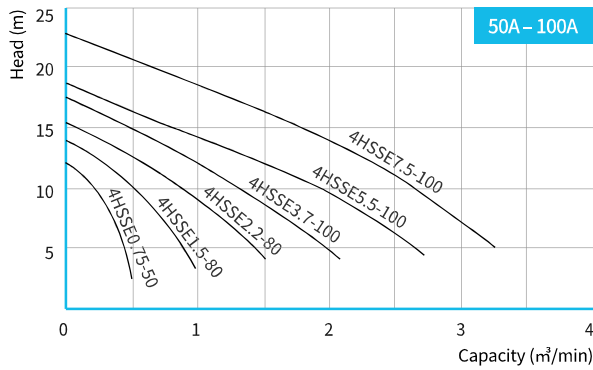
### Applications

Large scale water for industrial and agricultural use  
 Large water transfer at river and reservoir  
 Intake sewage water for treatment plant

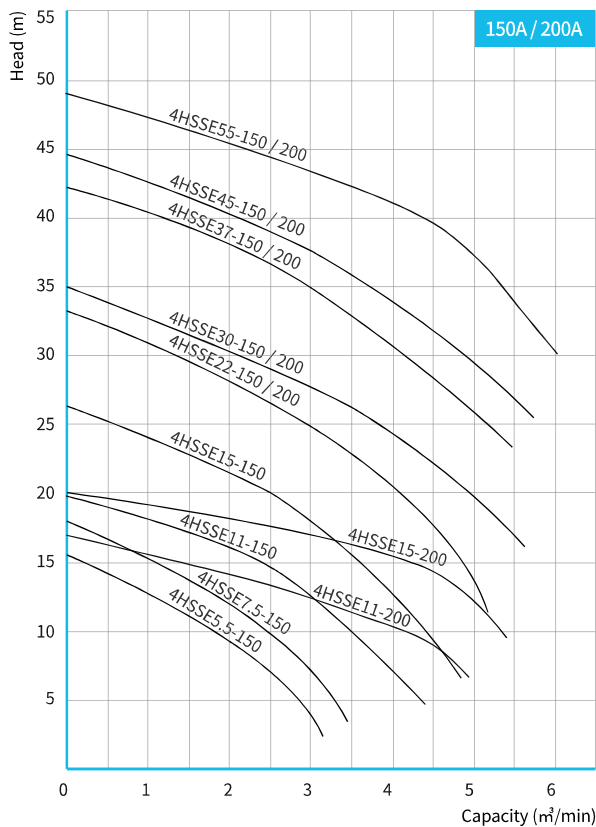
### Features

- Variant number of pole depend of capacity demand
- Easier maintenance with automatic discharge connector
- Double mechanical seal for tightening waterproof

### Performance Curves



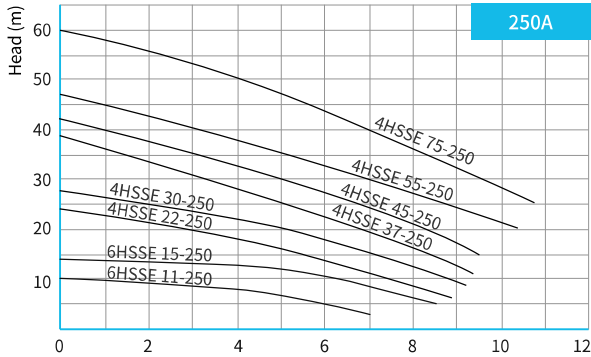
Model	Power Pole	Output (kW)	Discharge (mm)	Head (m)	Capacity (m³/min)
4HSSE0.75-50	three phase / 380V 415V	0.75	50	8	0.21
4HSSE1.5-80		1.5		8	0.5
4HSSE2.2-80		2.2	10	0.6	
4HSSE3.7-100		3.7	100	10	1
4HSSE5.5-100		5.5		14	
4HSSE7.5-100		7.5		18	



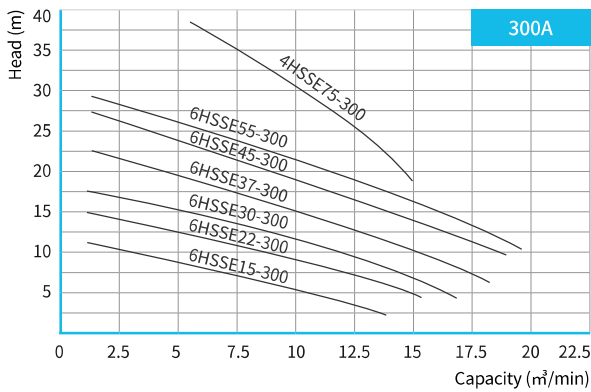
Model	Power Pole	Output (kW)	Discharge (mm)	Head (m)	Capacity (m³/min)
4HSSE5.5-150	three phase / 380V 415V	5.5	150	6	2.5
4HSSE7.5-150		7.5		9	
4HSSE11-150		11		15	
4HSSE15-150		15		20	
4HSSE22-150		22		25	
4HSSE30-150		30	30	2.9	
4HSSE37-150		37	33		
4HSSE45-150		45	37		
4HSSE55-150		55	41		

Model	Power Pole	Output (kW)	Discharge (mm)	Head (m)	Capacity (m³/min)
4HSSE11-200	three phase / 380V 415V	11	200	9	4.5
4HSSE15-200		15		14	
4HSSE15-200		22		18	
4HSSE30-200		30		22	
4HSSE37-200		37		28	
4HSSE45-200		45		32	
4HSSE55-200	55	40			

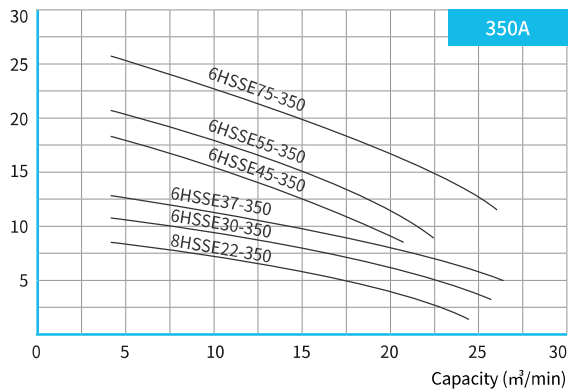
# HSSE | Submersible Sewage pump



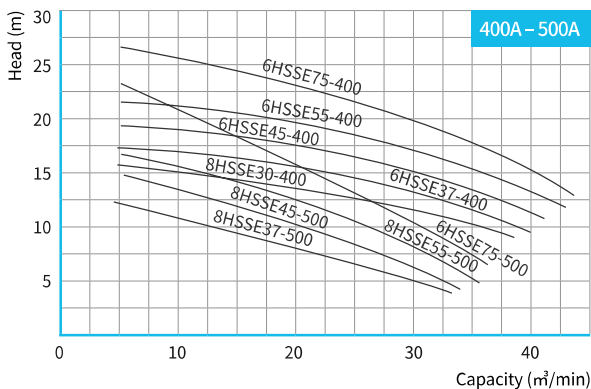
Model	Power Pole	Output (kW)	Discharge (mm)	Head (m)	Capacity (m³/min)
4HSSE22-250	three phase / 380V ~ 415V	4P	250	11	7
4HSSE30-250				14	
4HSSE37-250				19	
4HSSE45-250				24	
4HSSE55-250				30	
4HSSE75-250				40	
6HSSE11-250	6P		250	6	
6HSSE15-250				9	



Model	Power Pole	Output (kW)	Discharge (mm)	Head (m)	Capacity (m³/min)
4HSSE75-300	4P		300	31	10
6HSSE15-300				6	
6HSSE22-300	three phase / 380V ~ 415V	6P	300	9	
6HSSE30-300				11	
6HSSE37-300				15	
6HSSE45-300				18	
6HSSE55-300				21	



Model	Power Pole	Output (kW)	Discharge (mm)	Head (m)	Capacity (m³/min)
6HSSE30-350	three phase / 380V ~ 415V	6P	350	7.5	15
6HSSE37-350				9	
6HSSE45-350				12	
6HSSE55-350				14	
6HSSE75-350				20	
8HSSE22-350				8P	

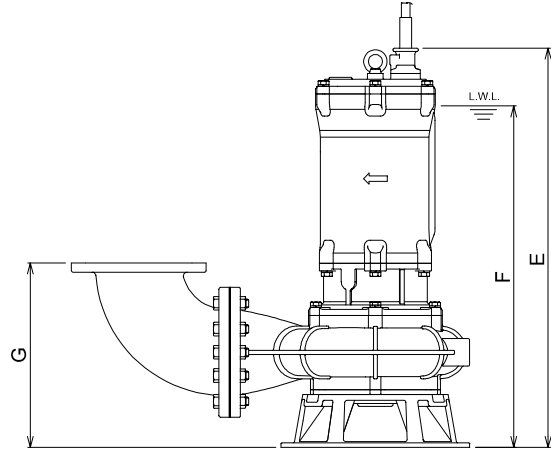
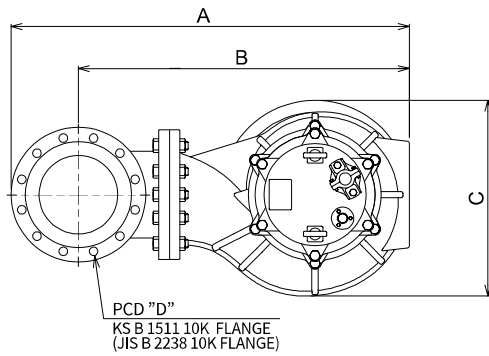


Model	Power Pole	Output (kW)	Discharge (mm)	Head (m)	Capacity (m³/min)
8HSSE30-400	8P		400	5	20
6HSSE37-400				7	
6HSSE45-400	three phase / 380V ~ 415V	6P	400	9	
6HSSE55-400				12	
6HSSE75-400				16	
8HSSE37-500	8P		500	5	30
8HSSE45-500				6	
8HSSE55-500				7.5	
6HSSE75-500				10	

# HSSE

Submersible Sewage pump

## Outline Drawing



Model	Dimensions						
	A	B	C	D	E	F	G
4HSSE0.75-50	360	335	185	120	400	105	210
4HSSE1.5-80	490	430	225	150	600	185	230
4HSSE2.2-80	600	480	360	150	725	510	228
4HSSE3.7-100	640	590	360	175	770	540	300
4HSSE5.5-100	825	720	505	175	920	750	365
4HSSE7.5-100							
4HSSE5.5-150	925	790	505	240	920	750	405
4HSSE7.5-150							
4HSSE11-150	930	790	505	240	1010	850	394
4HSSE15-150							
4HSSE22-150	925	785	525	240	1145	800	392
4HSSE30-150							
4HSSE37-150	925	785	525	240	1350	945	392
4HSSE45-150							
4HSSE55-150							
4HSSE11-200	1015	850	510	290	1035	870	470
4HSSE15-200							
4HSSE22-200	1110	945	610	290	1190	960	503
4HSSE30-200							
4HSSE37-200	1110	945	610	290	1380	1115	503
4HSSE45-200							
4HSSE55-200							
6HSSE11-250	1250	1050	660	355	1200	840	638
6HSSE15-250							
4HSSE22-250	1250	1050	660	355	1255	880	638
4HSSE30-250							

Model	Dimensions						
	A	B	C	D	E	F	G
4HSSE37-250	1250	1050	660	355	1440	1010	638
4HSSE45-250							
4HSSE55-250							
6HSSE15-300	1470	1230	800	400	1010	705	677
6HSSE22-300							
6HSSE30-300	1470	1230	800	400	1330	930	677
6HSSE37-300							
6HSSE45-300	1470	1230	800	400	1520	1065	677
6HSSE55-300							
4HSSE75-300	1470	1230	800	400	1520	1065	677
8HSSE22-350							
6HSSE30-350	1800	1535	1000	445	1650	1155	845
6HSSE37-350							
6HSSE45-350	1800	1535	1000	445	1670	1170	845
6HSSE55-350							
6HSSE75-350							
8HSSE30-400	2120	1840	1145	510	1610	1130	1080
6HSSE37-400							
6HSSE45-400	2120	1840	1145	510	1740	1220	1080
6HSSE55-400							
6HSSE75-400							
8HSSE37-500	2200	1845	1320	620	1960	1370	1140
8HSSE45-500							
8HSSE55-500							
6HSSE75-500	2200	1845	1320	620	1975	1380	1140

\* The above dimensions might be changed without further notification.  
 \* Please contact us regarding automatic discharge connector.