

# HSVO

## Submersible Vortex pump

Standard Material	Casing	GC200
	Shaft	STS304
	Impeller	GC200
	M/C Seal	SIC/SIC
	Lifting chain	NOMAL



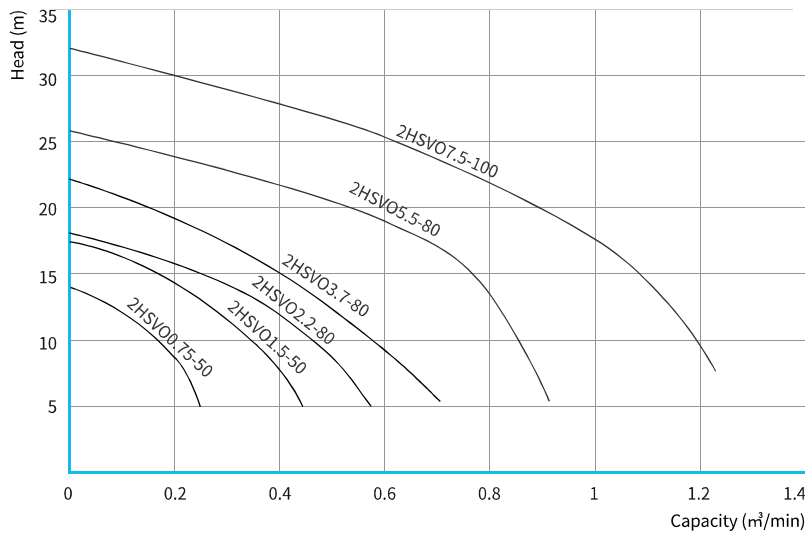
### Applications

Transfer for heavy slurry and sewage water  
Sewage water transfer of sanitary facility, residential area, livestock industry

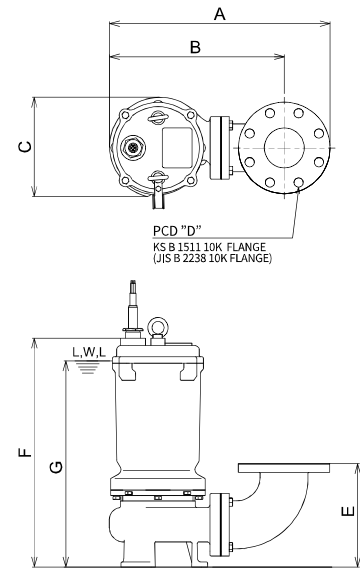
### Features

- Vortex type impeller for solid passing
- Double mechanical seal for tightening waterproof
- Easier maintenance with automatic discharge connector

### Performance Curves



### Outline Drawing



Model	Power	Pole	Output (kW)	Discharge (mm)	Head (m)	Capacity (m³/min)	Dimensions						
							A	B	C	D	E	F	G
2HSVO0.75-50	three phase / 380V 415V	2P	0.75	50	10	0.16	385	310	185	120	155	365	315
2HSVO1.5-50			14		0.2	385	310	175	120	155	390	340	
2HSVO2.2-80			2.2	80	12	0.4	450	360	210	150	203	450	390
2HSVO3.7-80			3.7		15	0.4	450	360	210	150	203	480	420
2HSVO5.5-80			5.5		17	0.7	530	435	280	150	289	610	560
2HSVO7.5-100			7.5		22	0.7	570	465	280	175	312	715	615

\* The above dimensions might be changed without further notification.  
\* Please contact us regarding automatic discharge connector.